

## Technical Specifications

<b>Power supply</b>	CR2032 battery
<b>Interfaces</b>	Loxone Air: 868MHz (SRD Band Europe), 4 channels available 915MHz (ISM Band Region 2), 10 channels available max. Power 3.16mW
<b>Sensor</b>	Reed contact
<b>Ambient temperature</b>	0 ... 55°C / 32 ... 131°F
<b>Battery lifetime</b>	up to 2 years
<b>Humidity</b>	max. 95% r.H. (non condensing)
<b>Learn button</b>	can also be used as a push button
<b>Safety rating</b>	IP20
<b>Maintenance &amp; Cleaning</b>	This device is free of maintenance and may only be cleaned with a dry cloth.

# LOXONE

## Need Help?

[loxone.com/support](https://loxone.com/support)

Loxone Electronics GmbH  
Smart Home 1  
4154 Kollerschlag  
Austria

[loxone.com](https://loxone.com)



V060420

# LOXONE



## Door & Window Contact Air

Part No: 100210 (white)

Part No: 100213 (anthracite)

## About the product

The Loxone Window & Door Contact will quickly detect any open windows or doors in your smart home and similar non safety critical applications.

## Features

- 1 reed contact
- 1 push button

## Installation & electrical connection

If the device is not installed according to manufacturers guidelines the protection of the device may be affected.

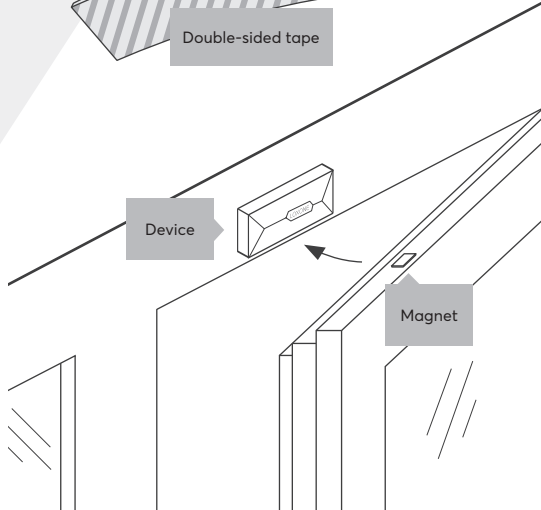
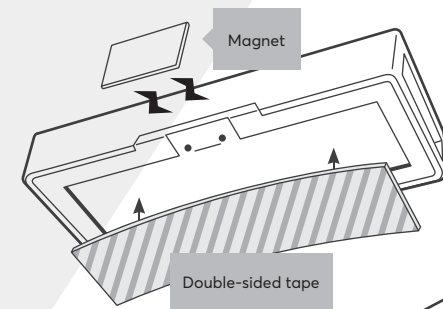
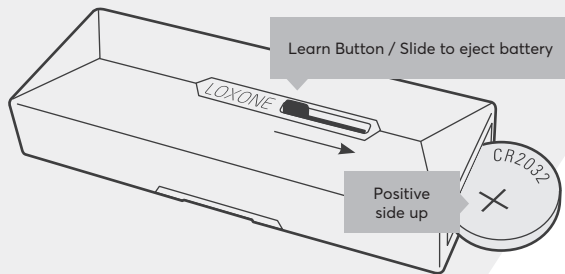
## Information

Contains FCC ID: COR-ZWIR4512AC1

This device complies with part 15 of the FCC Rules.

Operation is subject to the following two conditions:

1. This device may not cause harmful interference
2. This device must accept any interference received, including interference that may cause undesired operation



For additional information, declaration of conformity, visit [www.loxone.com/help/air](http://www.loxone.com/help/air)