

Technical Specifications

Power supply	9 ... 28VDC
Power consumption	typ. 150mW, max. 160mW
Power loss	max. 160mW
Interfaces	Loxone Tree: connection with Miniserver / Tree Extension
Ambient temperature	-20 ... 55°C / -4 ... 131°F
Humidity	max. 95% r.H. (non condensing)
Temperature detection range	-40 ... 120°C / -40 ... 248°F, ± 0.5°C / 0.9°F
Humidity detection range	0 ... 100% r.H. +/- 2% (non condensing)
CO2 detection range	400 ... 10.000ppm, ±(30 ppm + 3%)
Safety rating	IP20
Dimensions	80x80x18mm / 3.15x3.15x0.71" (LxWxH)
Maintenance & Cleaning	This device is free of maintenance and may only be cleaned with a dry cloth.

LOXONE

LOXONE

Need Help?

loxone.com/support

Loxone Electronics GmbH
Smart Home 1
4154 Kollerschlag
Austria

loxone.com



Room Comfort Sensor Tree

Part No: 100276 (White)
Part No: 100277 (Anthracite)

V060420



About the product

The Room Comfort Sensor Tree ensures rooms are always comfortable, by measuring temperature, humidity, and air quality using a CO2 sensor. Together with the Miniserver, this information can be used to control, monitor and record statistics for the temperature and air quality in a room.

Features

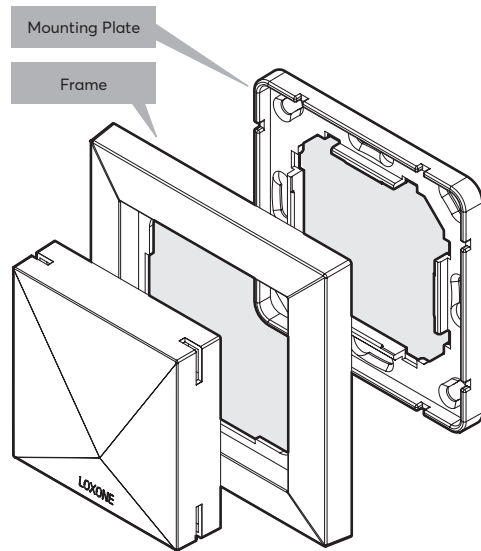
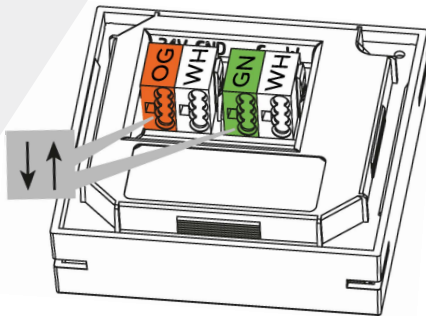
- Temperature sensor
- Humidity sensor
- CO2 sensor

Installation

Fix the mounting plate to your installation box. Now connect power and Tree communication to the Room Comfort Sensor Tree through the frame. Place the Room Comfort Sensor Tree including the frame on top of the mounting plate and gently push to clip into place.

Connection

Wire cross-section	0.25 ... 0.8mm ² / AWG18 ... 23
Stripping length	5mm / 0.2"
Temperature resistance	-40 ... 105°C / -40 ... 221°F
Orange / White	+ 24VDC / GND
Green / White	Loxone Tree



This folder is a part of the product!



For additional information, declaration of conformity, visit www.loxone.com/help/room-comfort-sensor-tree