

Technical Specifications

Power supply	18 ... 28VDC
Power consumption	typ. 45mW, max. 2.6W
Power loss	max. 2.6W
Interface	Loxone Tree: Connection with Miniserver / Tree Extension
Ambient temperature	-40 ... 55°C / -40 ... 131°F
Humidity	max. 95% r.H. (non condensing)
Alarm	Acoustic 93dB / 1m 83.5dB / 3m optical: flashing red light
Tamper detection	Yes
Safety rating	IP44
Dimensions	250x150x65mm / 9.84x5.91x2.56" (LxWxH)
Maintenance & Cleaning	This device is free of maintenance and may only be cleaned with a dry cloth.

LOXONE

LOXONE

Need Help?

loxone.com/support



Alarm Siren Tree

Part No: 100313

Loxone Electronics GmbH
Smart Home 1
4154 Kollerschlag
Austria

loxone.com

VZ70320



About the product

The Alarm Siren Tree with strobe light serves as an external warning device, for example, as part of the burglar alarm. When triggered, the device gives out an acoustic and optical alarm. The integrated tamper switch provides additional protection.

Features

- Acoustic alarm
- Optical alarm
- Tamper detection

Installation

Install the product in your desired installation place and make sure that it's mounted over the cable outlet. Make sure that you choose an installation place where the product is protected against extreme weather conditions.

Connect power and Tree communication by using the provided moisture-resistant pigtail connectors. Once powered, pair the product with your Miniserver using Loxone Config. To finish the installation, place the top cover as seen in the picture on the base unit and fix in place with the two screws on the bottom.

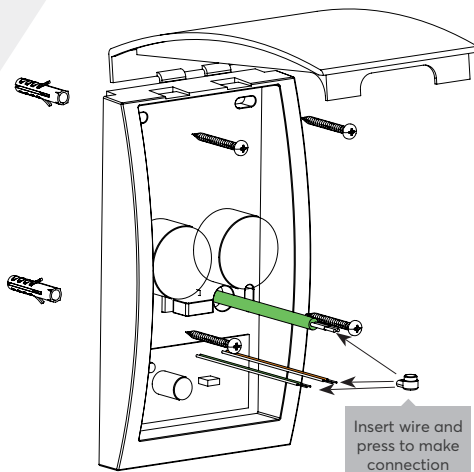
This folder is a part of the product!



For additional information, declaration of conformity, visit www.loxone.com/help/alarm-siren-tree

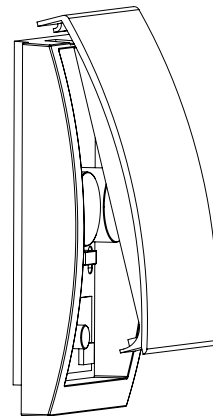
Connection

Wire cross-section	0.4 ... 0.8mm ² / AWG26 ... 19
Stripping length	must not be stripped
Temperature resistance	-40 ... 140 °C / -40 ... 284°F



Insert wire and press to make connection

1st)
clasp into housing and close cover



2nd)
fix cover with screws