

Technical Specifications

Power supply	9 ... 28VDC
Power consumption	max. 60mW
Interface	DMX: up to 128 channels protocol: DMX512 max. 500m wire length Loxone Link: connection with Miniserver
Power loss at max. load	60mW
Ambient temperature	-40 ... 70°C / -40 ... 158°F
Humidity	max. 95% r. H. (non condensing)
Safety rating	IP20
Dimensions	35.5x88x57mm / 1.4x3.46x2.24" (LxWxH)
Maintenance & Cleaning	This device is free of maintenance and may only be cleaned with a dry cloth.

DMX interface, Power Supply and Loxone Link

Wire cross-section	0.05 ... 2.5mm ² / AWG30 ... 12
Stripping length	6 ... 7.5mm / 0.24 ... 0.30"
Torque of terminal blocks	0.5 ... 0.6Nm / 0.37 ... 0.44 lbf ft
Temperature resistance	min. 80°C / 176°F for IEC, min. 75°C / 167°F for UL,

LOXONE

LOXONE

Need Help?

loxone.com/support

DMX Extension

Loxone Electronics GmbH
Smart Home 1
4154 Kollerschlag
Austria

loxone.com



V160420

Part No: 100012

About the product

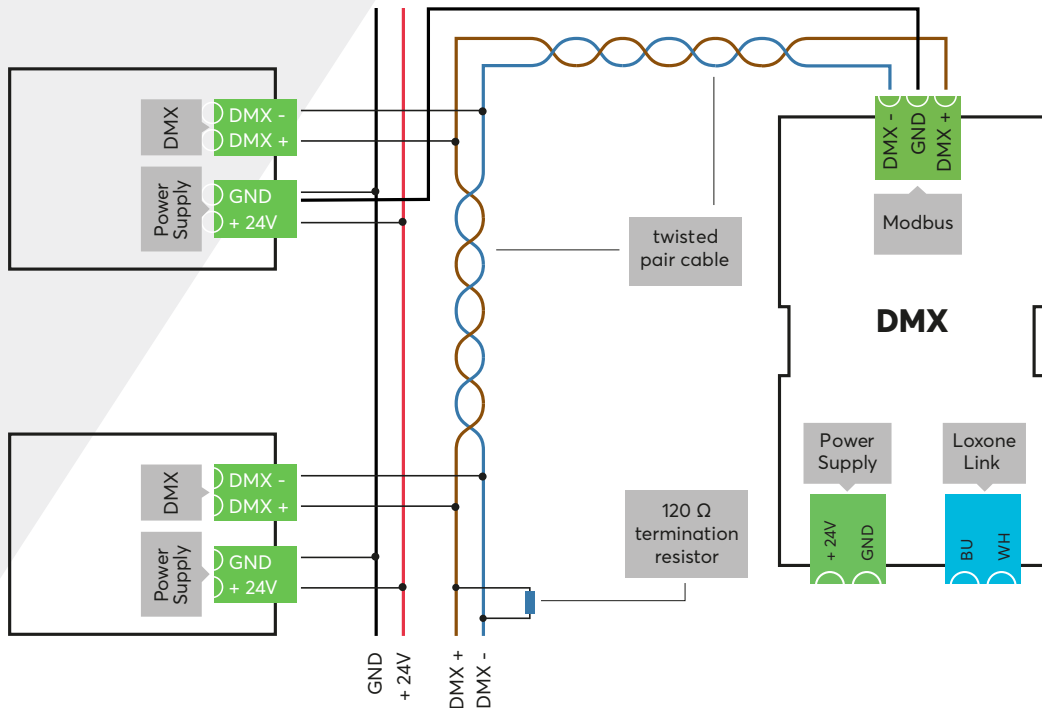
The Loxone DMX Extension is a device for automatic control and management of home automation and similar non safety critical applications.

Installation & electrical connection

The installation of the devices has to be mounted on a DIN rail in an electrical distribution housing (Standard distribution) and may only be performed by qualified personnel.

Protection against electrical contact and fire protection must be provided in the final installation by the use of a standards compliant/approved housing.

To turn the unit on/off during installation and in case of failure, a separator (disconnecting device) must be present. These must be easily accessible and visible. If the unit is used in a non conform manner as specified by the manufacturer the product included safeguards will be impaired.



This folder is a part of the product!



For additional information, declaration of conformity, visit www.loxone.com/help/dmx